



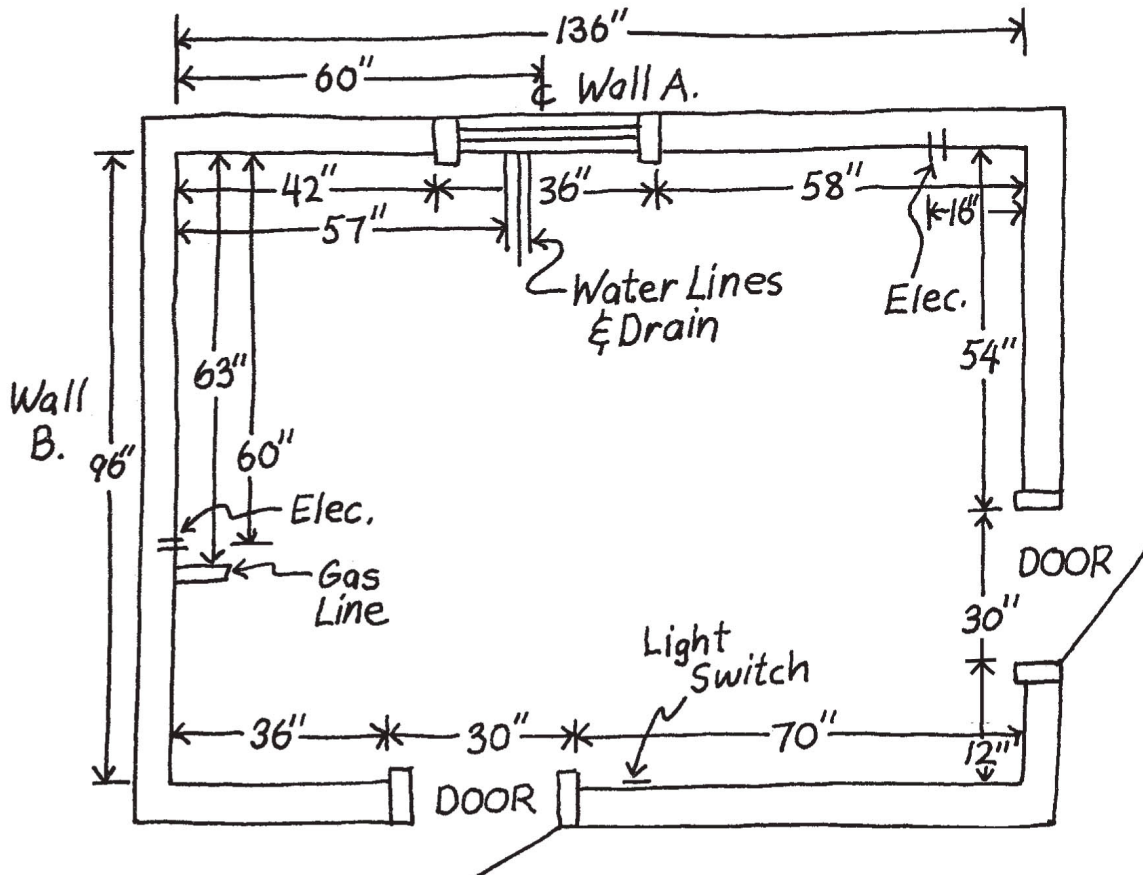
How To Measure Your Kitchen or Bath For New Cabinets

Accurate measurements of your kitchen or bath is important in designing your new cabinets. Please follow the steps listed in this kitchen and bath planner and give the information to your Forevermark Cabinetry product specialist.

Floor Plan

You will need to carefully configure the exact dimensions of your room. Your completed floor plan should resemble the diagram below. Be sure to show exact locations of doors, windows, hood vents, exhaust, gas lines, water line, drain line, outlets, switches, light fixtures, and heat vents.

NOTE: ALWAYS DOUBLE CHECK MEASUREMENTS.





How To Measure Your Kitchen & Bath For New Cabinets

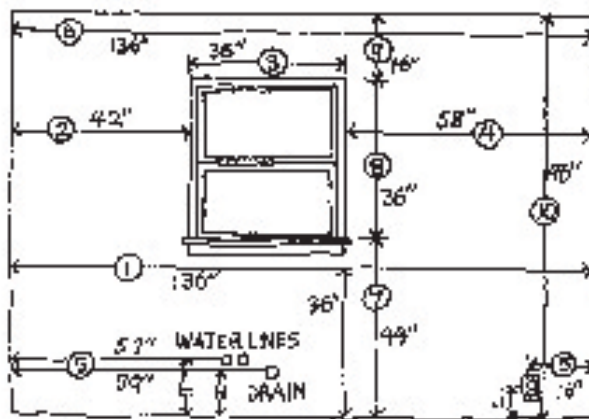
Using a tape measure and graph paper, measure your room using the following steps.

Horizontal Measurement

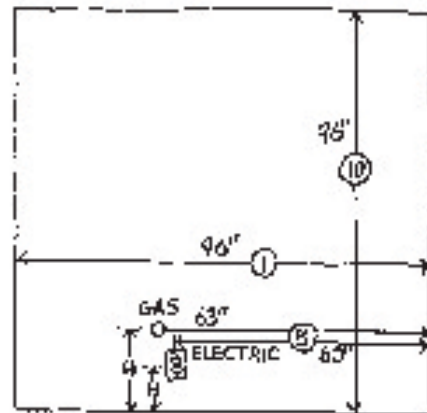
1. Measure from wall to wall at 36" height
2. Measure from corner to window or door opening.
3. Measure across opening from trim edge to trim edge.
4. Measure from edge of trim to far wall. Compare sum of #2, #3, and #4 measurements to step #1.
5. Mark exact location of water, drain, gas lines and electrical outlets and switches on drawing.
6. Measure from wall to wall above window and compare to #1.

Vertical Measurement

7. Measure from floor to window sill.
8. Measure from window sill to top of window.
9. Measure from top of window to ceiling.
10. Measure from floor to ceiling - Compare to sum of #7, #8, and #9.




WALL A.



WALL B.

Each large square represents 1 square ft and the small squares represents 3"

0	0	1'	2'	3'	4'	5'	6'	7'	8'	9'	10'	11'	12'	13'	14'	15'	16'
1'																	
2'																	
3'																	
4'																	
5'																	
6'																	
7'																	
8'																	
9'																	
10'																	
11'																	
12'																	
13'																	
14'																	
15'																	
16'																	



Name _____
Address _____
City _____
State _____



Appliance and Fixture Information

List desired or existing appliances on drawing. Be sure to indicate 220 volt outlets, wall mounted appliances and fixtures, telephone and cable locations. Also note gas line and appliance locations.

	Type	Size W x D x H	Hinge Position L/R (Facing Appliance)
Refrigerator			
Range			
Cooktop			
Exhaust Hood			
Wall Oven			
Microwave			
Dishwasher			
Sink			
Disposal			
Compactor			
Freezer			
Other			

List any special Instructions or Notes